

# SERCO 200-K

## LOG AND PULP LOADERS



# SERCO 200-K

## SPECIFICATIONS

### ENGINES & DRIVE LINE

- John Deere 6068T TIER III Diesel Engine, 185 HP
- Electrical: 24V System
- Circuit Breaker Protection
- 2 Cab LED Work Lights
- 2 LED Boom Lights

- Cold Weather Starting Package with Glow Plugs and Engine Block Heater
- Pump Drive: Direct Driven, Dual Pad

### OPERATORS CAB

- 40" x 51" Cab
- Opening Roof Window, Tinted Safety Glass
- AM/FM/CD
- Windshield Wiper/Washer, Defroster Fan, Dome Light
- Air Conditioning and Heater
- Fully Adjustable Seat with Arm Rests
- Packer IQAN Electronic Monitor System
- Heavy Duty Front Swing Out Guard
- Swing-Open Door with Sliding Window
- Right Side Sliding Window
- Two (2) 12 Volt Power Points
- CB Radio

### HYDRAULIC SYSTEM

- Pumps: Tandem, Variable Displacement On-Demand with Horsepower Sharing and Dedicated Vane Type Slasher Pump Integrated, Located Under Platform Deck
- Valves: Dual Planetary Swing Gearboxes with Geroler Motors. 8 RPM Swing Speed
- Swing System: Pilot Operated Joystick Levers, Foot Swing Pedal, Individual Levers for Stabilizers
- Controls: Dual In-tank Return Line Filters
- Filtration: Serco Designed and Built Continuous Swivel with Cast Iron Spool and Chrome-Plated Housing
- Swivel: High Capacity
- Oil Cooler: Main (2) 6" x 42" x 3" Rods
- Cylinders: Jib (1) 7" x 36" x 3-1/2" Rod  
Stabilizers (4) 6" x 24" x 3" Rods

All Cylinders Have Ductile Iron Pistons and Glands, Wear Rings and Heavy Chrome Plated Rods

### STRUCTURAL

- Lower frame: Heavy Duty, Fabricated Subframe Assembly
- Tail Swing: 110"
- Booms: 30'0" Knuckle Boom Fabricated From High-Strength Steel and Reinforced at all Stress Points
- Boom Pivot Pins: 3" Diameter Main Boom Pin, 2-1/2" Diameter Knuckle and Cylinder Pins Made From High-Strength Alloy Steel, Aluminum Bronze Bushings
- Swing Bearing: 39" Diameter, Internal Gear
- Stabilizers: 186-1/2" Spread at Grade  
175-1/2" Spread at Maximum Down Reach  
12-3/8" Reach Below Grade

### CAPACITIES

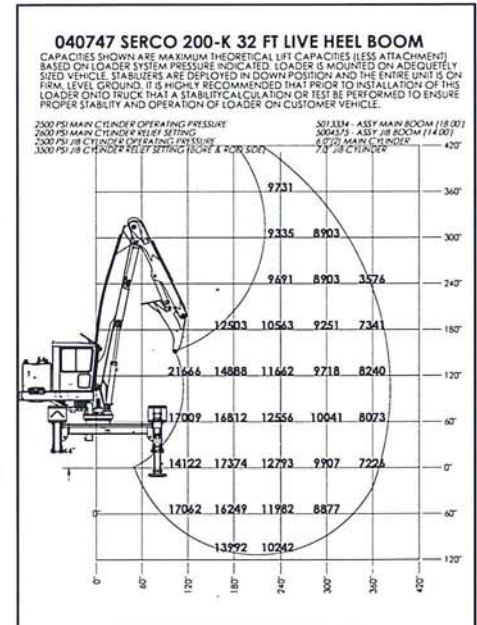
- Fuel: 75 Gallons with Lockable Cap
- Hydraulic: 140 Gallons
- Unit Weight: 25,000 lbs

### MISCELLANEOUS

- Engine & Hydraulic Tank Heater

### OPTIONAL

- 32' Knuckle Boom
- Live Heel Boom
- Fold-A-Way Stationary Heels
- Automatic and Manual Greaser Systems
- Carrier Hydraulic Drive Packages
- Auxiliary Lighting Package
- Full Range of Attachments Including Continuous Rotation Grapples



SPECIFICATIONS SUBJECT TO CHANGE WITHOUT PRIOR NOTICE

# SERCO LOADERS

511 25th Ave.  
Two Harbors, MN 55616  
Phone: (218) 834-5118  
FAX: (218) 834-2498  
Email: serco@sercoloaders.com  
Web: www.sercoloaders.com



PRINTED IN USA